

WAAS CH 40039 W26A	APP CRS 259°	Rwy Idg TDZE Apt Elev	7702 6193 6204
--	------------------------	-----------------------------	---

RNAV (GPS) RWY 26

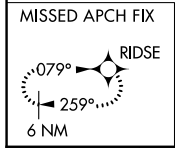
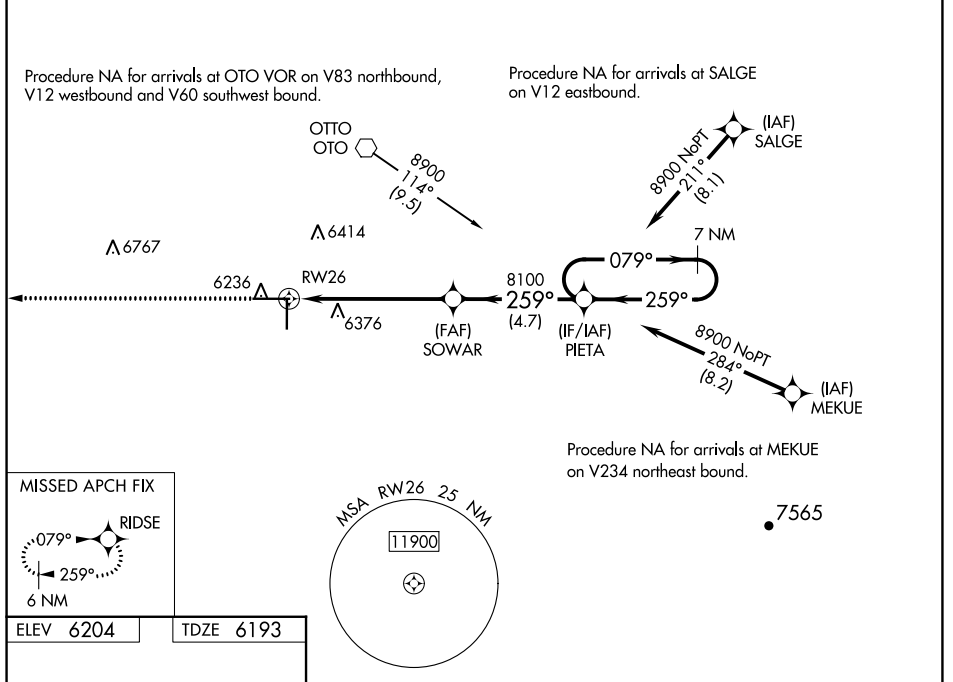
MORIARTY MUNI (ØEØ)

RNP APCH - GPS.

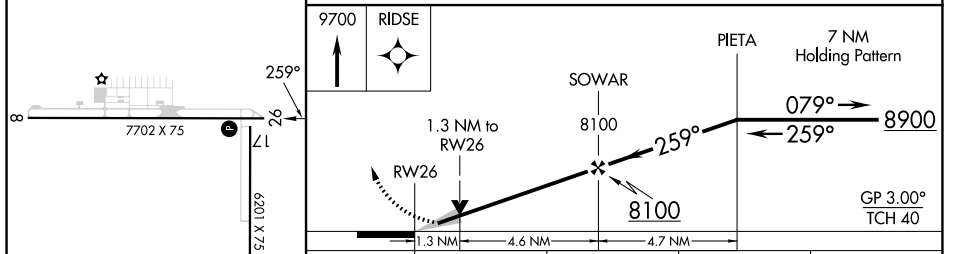
▼ For uncompensated Baro-VNAV systems, LNAV/VNAV NA below -27°C or above 54°C.
Circling Rwy 18 and 36 NA at night.

MISSED APPROACH: Climb to 9700 direct RIDSE and hold, continue climb-in-hold to 9700.

AWOS-3 118.05	ALBUQUERQUE CENTER 133.65 284.6	CTAF 122.9 Ø
-------------------------	---	-------------------------------



ELEV 6204	TDZE 6193
------------------	------------------



CATEGORY	A	B	C	D
LPV DA	6443-7/8 250 (300-7/8)			NA
LNAV/VNAV DA	6443-7/8 250 (300-7/8)			NA
LNAV MDA	6640-1 447 (500-1)		6640-1 3/8 447 (500-1 3/8)	NA
C CIRCLING	6660-1 456 (500-1)	6680-1 476 (500-1)	6780-1 1/2 576 (600-1 1/2)	NA

SW-1, 22 FEB 2024 to 21 MAR 2024

SW-1, 22 FEB 2024 to 21 MAR 2024

WAAS CH 86239 W08A	APP CRS 079°	Rwy Idg TDZE Apt Elev	7702 6204 6204
--	------------------------	-----------------------------	---

RNAV (GPS) RWY 8

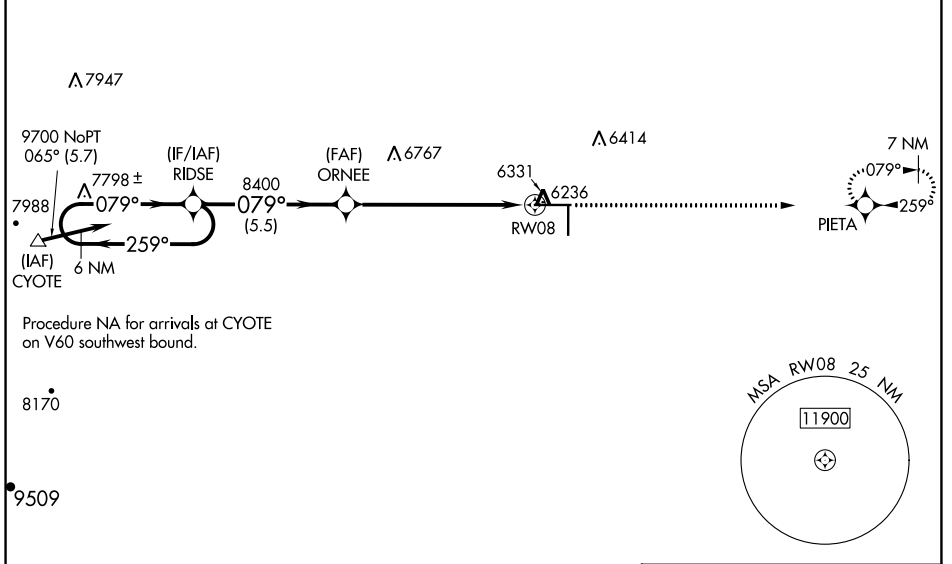
MORIARTY MUNI (ØEØ)

RNP APCH.

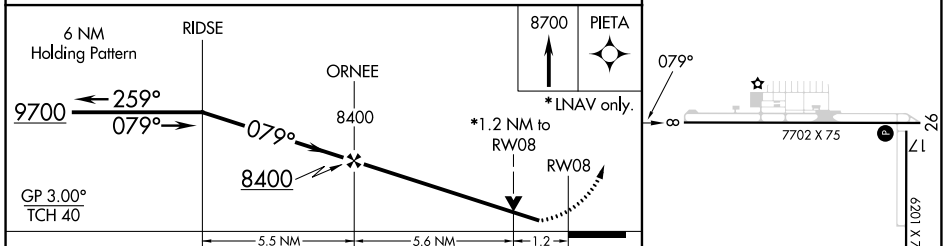
▼ For uncompensated Baro-VNAV systems, LNAV/VNAV NA below -27°C or above 54°C. Circling Rwy 18 and 36 NA at night. Rwy 8 helicopter visibility reduction below ¾ SM NA.

MISSED APPROACH: Climb to 8700 direct PIETA and hold.

AWOS-3 118.05	ALBUQUERQUE CENTER 133.65 284.6	CTAF 122.9 0
-------------------------	---	------------------------



ELEV 6204	TDZE 6204
-----------	-----------



CATEGORY	A	B	C	D
LPV DA	6454-7/8	250 (300-7/8)		NA
LNAV/VNAV DA	6481-7/8	277 (300-7/8)		NA
LNAV MDA	6640-1	436 (500-1)	6640-1¼ 436 (500-1¼)	NA
CIRCLING	6660-1 456 (500-1)	6680-1 476 (500-1)	6780-1½ 576 (600-1½)	NA

MIRL Rwy 8-26 0

SW-1, 22 FEB 2024 to 21 MAR 2024

SW-1, 22 FEB 2024 to 21 MAR 2024