

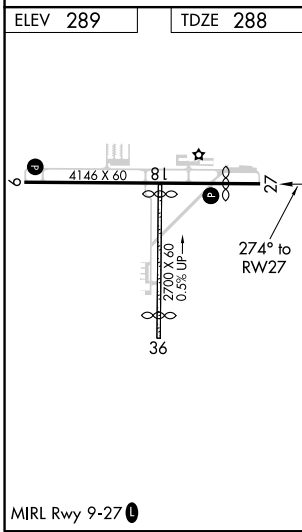
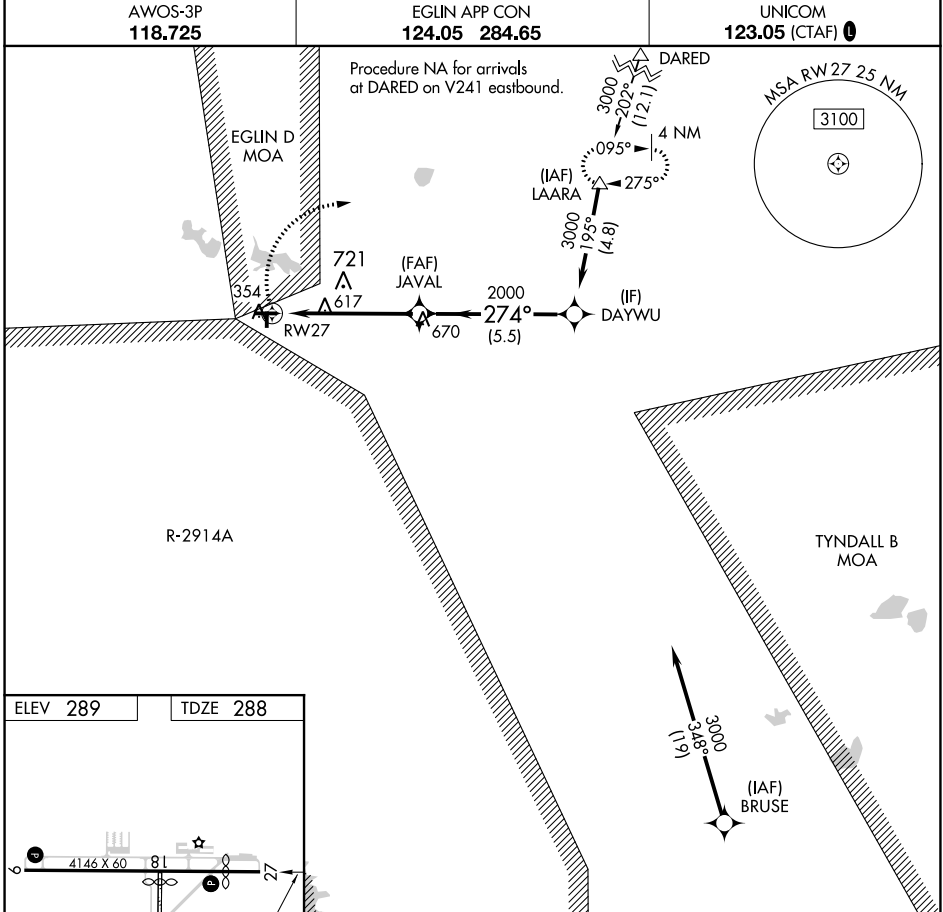
WAAS CH 97725 W27A	APP CRS 274°	Rwy Idg 3541 TDZE 288 Apt Elev 289
--	------------------------	---

RNAV (GPS) RWY 27

DEFUNIAK SPRINGS (54J)

RNP APCH.
 ⚠ Circling NA to Rwy 18 and 36. Circling Rwy 9 NA at night.
 ⚠ Rwy 27 helicopter visibility reduction below $\frac{3}{4}$ SM NA.

MISSED APPROACH: Climbing right turn to 3000
 direct LAARA and hold.



3000 LAARA	Visual Segment - Obstacles.			DAYWU
1.7 NM to RWY 27	JAVAL	2000	274°	3000
1.7 NM	3.6 NM	5.5 NM		
CATEGORY	A	B	C	D
LP MDA	880-1	592 (600-1)		NA
LNAV MDA	880-1	592 (600-1)		NA
CIRCLING	880-1	920-1		NA
	591 (600-1)	631 (700-1)		

SE-3, 28 JAN 2021 to 25 FEB 2021

SE-3, 28 JAN 2021 to 25 FEB 2021

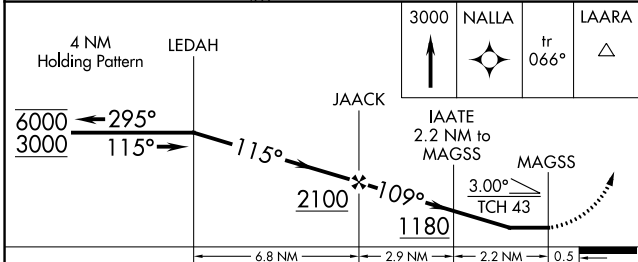
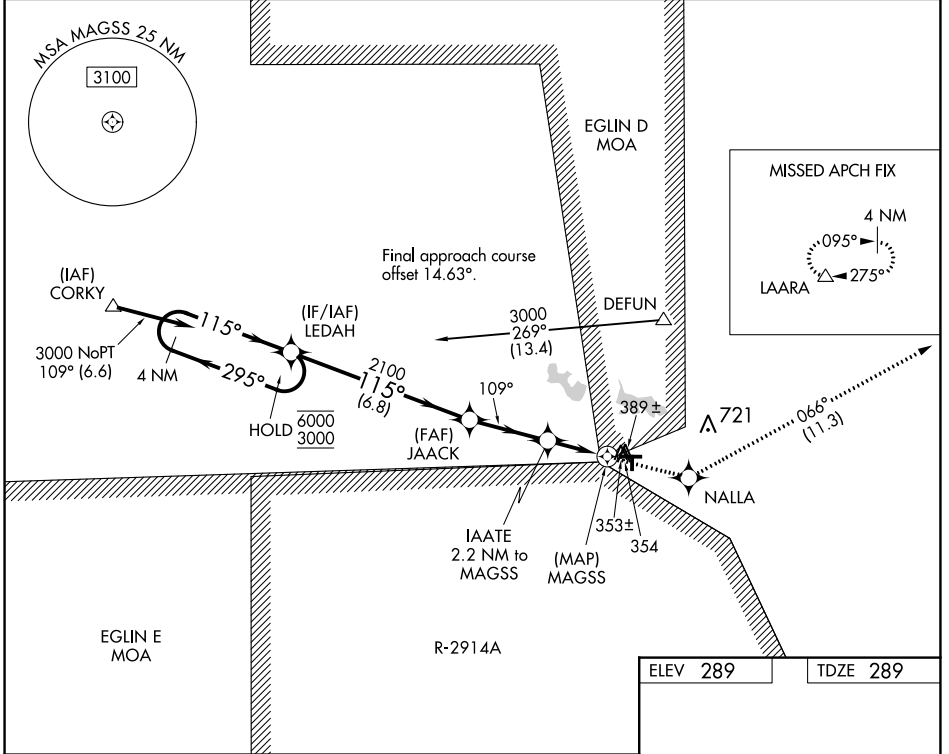
WAAS CH 40441 W09A	APP CRS 109°	Rwy Idg 4146 TDZE 289 Apt Elev 289
--	------------------------	---

RNAV (GPS) RWY 9

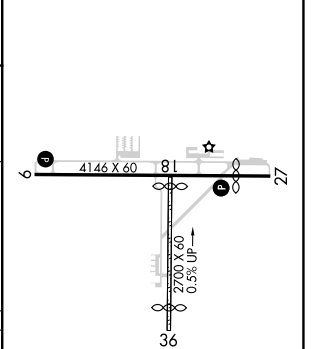
DEFUNIAK SPRINGS (54J)

RNP APCH.	MISSED APPROACH: Climb to 3000 direct NALLA and on track 066° to LAARA and hold.
<p>Circling NA to Rwys 18 and 36. Rwy 9 helicopter visibility reduction below 1 SM NA. Straight-in, Circling Rwy 9 NA at night.</p>	

AWOS-3P 118.725	EGLIN APP CON 124.05 284.65	UNICOM 123.05 (CTAF) 0
---------------------------	---------------------------------------	----------------------------------



ELEV 289	TDZE 289
----------	----------



CATEGORY	A	B	C	D
LP MDA	620-1	331 (400-1)		NA
LNAV MDA	640-1	351 (400-1)		NA
CIRCLING	700-1 411 (500-1)	920-1 631 (700-1)		NA

MIRL Rwy 9-27 0

SE-3, 28 JAN 2021 to 25 FEB 2021

SE-3, 28 JAN 2021 to 25 FEB 2021