

WAAS CH <b>69232</b> <b>W34A</b>	APP CRS <b>319°</b>	Rwy Idg <b>3421</b> TDZE <b>14</b> Apt Elev <b>14</b>
--	------------------------	---

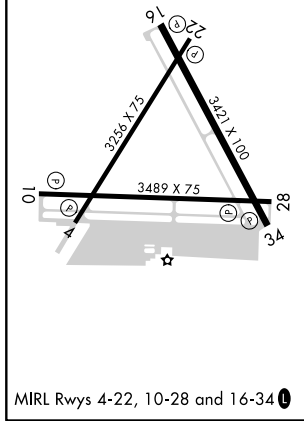
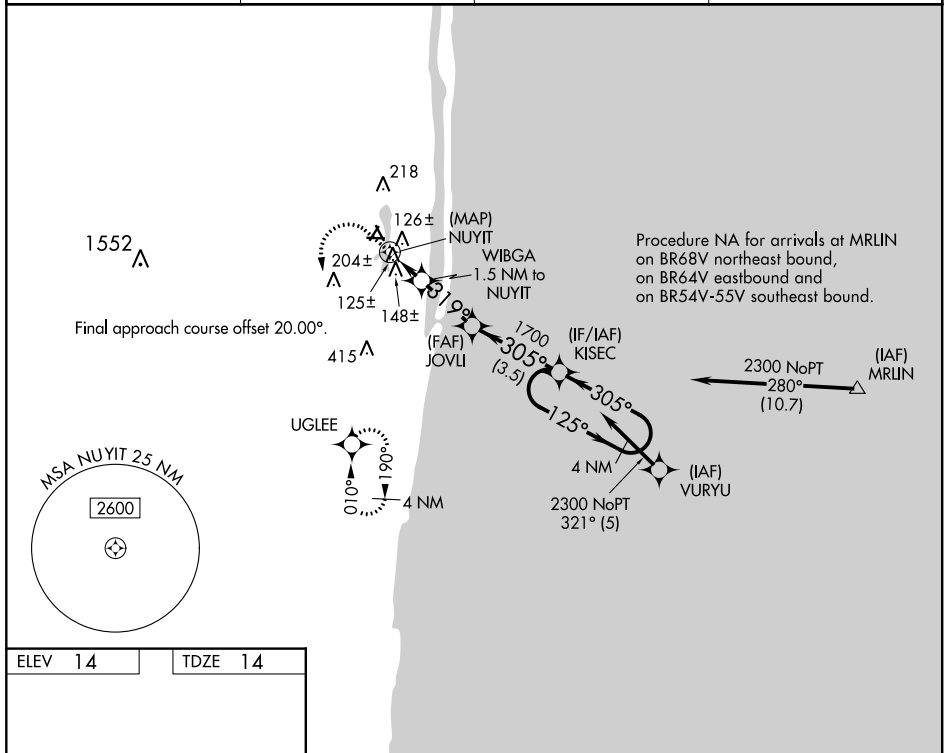
# RNAV (GPS) RWY 34

PALM BEACH COUNTY PARK (L.N.A)

**▼** DME/DME RNP-0.3 NA. Rwy 34 helicopter visibility reduction below 1 SM NA. Circling to Rwys 4, 16, 22, 28 NA at night. Straight-in Rwy 34 NA at night, Circling Rwy 34 NA at night.

**MISSED APPROACH:** (Do not exceed 200K until UGLEE) Climb to 700 then climbing left turn to 2000 direct UGLEE and hold.

AWOS-3PT <b>119.925</b>	PALM BEACH APP CON <b>127.35 343.6</b>	CINC DEL <b>127.35</b>	UNICOM <b>122.7 (CTAF) 0</b>
----------------------------	---	---------------------------	---------------------------------



700	2000	UGLEE	Visual Segment - Obstacles.	4 NM Holding Pattern
↑	↶	✦		
			WIBGA 1.5 NM to NUYIT	JOVLI
			NUYIT	KISEC
			800	1700
			319°	305°
			0.5	1.5 NM
			2.4 NM	3.5 NM
CATEGORY	A	B	C	D
LP MDA	380-1 366 (400-1)			NA
LNAV MDA	400-1	386 (400-1)	400-1 <sup>1</sup> / <sub>8</sub> 386 (400-1 <sup>1</sup> / <sub>8</sub> )	NA
<b>C</b> CIRCLING	460-1 446 (500-1)	520-1 506 (600-1)	580-1 <sup>1</sup> / <sub>2</sub> 566 (600-1 <sup>1</sup> / <sub>2</sub> )	NA

SE-3, 11 AUG 2022 to 08 SEP 2022

SE-3, 11 AUG 2022 to 08 SEP 2022

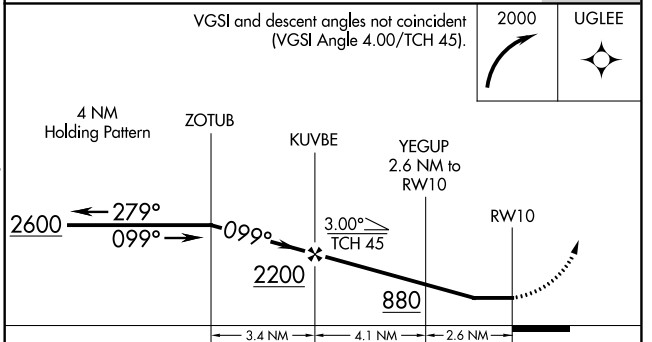
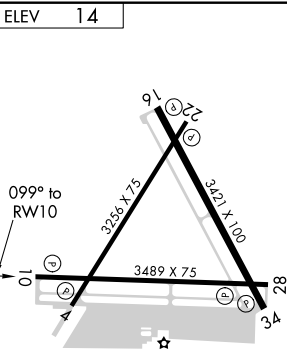
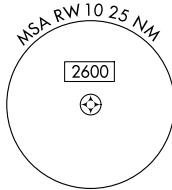
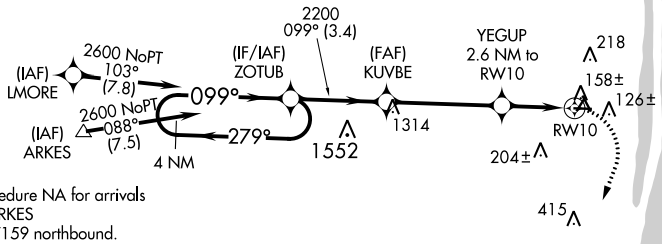
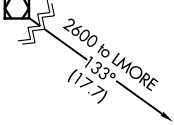
APP CRS	Rwy Idg	NA
099°	TDZE	NA
	Apt Elev	14

# RNAV (GPS)-A

PALM BEACH COUNTY PARK (L.N.A)

<p><b>▼</b> DME/DME RNP-0.3 NA. Rwy 10 helicopter visibility reduction below ¼ SM NA. Circling to Rwy's 4, 16, 22, 28, 34 NA at night.</p>		<p>MISSED APPROACH: (Do not exceed 210K until turn completion) Climbing right turn to 2000 direct UGLEE and hold.</p>	
AWOS-3PT <b>119.925</b>	PALM BEACH APP CON <b>127.35 343.6</b>	CLNC DEL <b>127.35</b>	UNICOM <b>122.7 (CTAF) 0</b>

PAHOKEE PHK  
Procedure NA for arrival on PHK VOR/DME airway radials 115 CW 211.



CATEGORY	A	B	C	D
<b>☐</b> CIRCLING	460-1 446 (500-1)	520-1 506 (600-1)	580-1½ 566 (600-1½)	NA

SE-3, 11 AUG 2022 to 08 SEP 2022

SE-3, 11 AUG 2022 to 08 SEP 2022

APP CRS	Rwy Idg	NA
279°	TDZE	NA
	Apt Elev	14

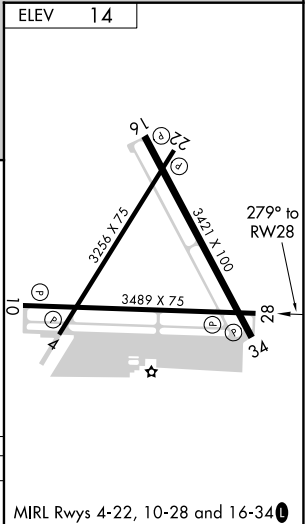
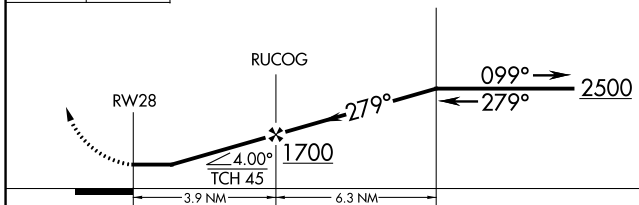
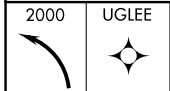
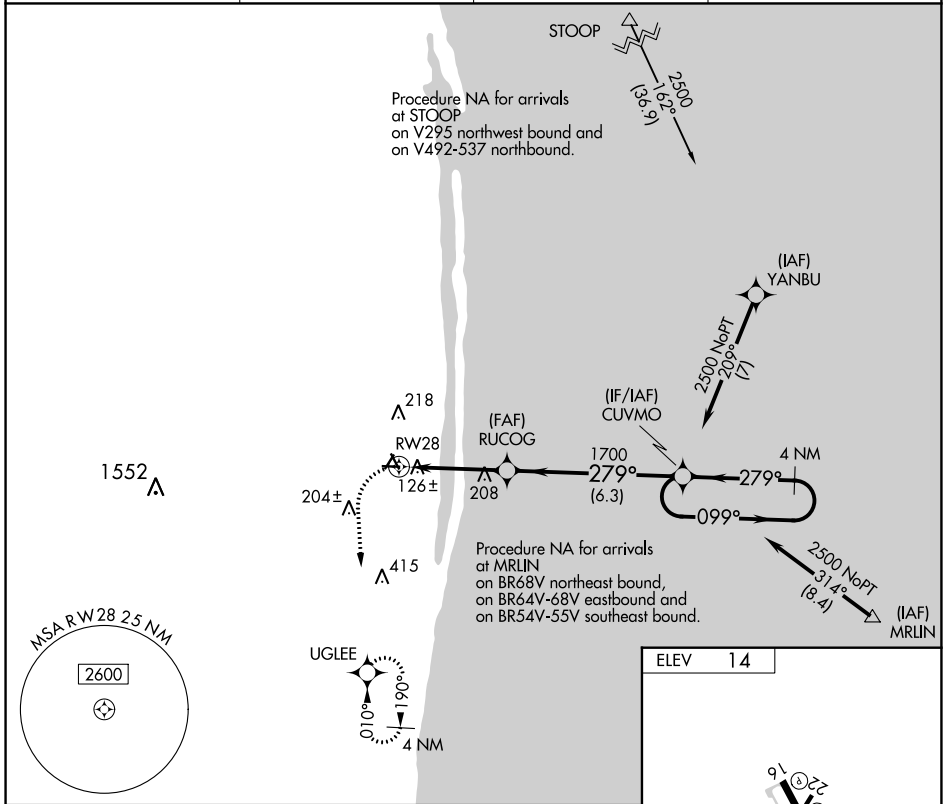
# RNAV (GPS)-B

PALM BEACH COUNTY PARK (L.N.A)

**▼** DME/DME RNP-0.3 NA. Rwy 28 helicopter visibility reduction below 1 SM NA. Circling to Rwys 4, 16, 22, 28, 34 NA at night.

MISSED APPROACH: (Do not exceed 210K until turn completion) Climbing left turn to 2000 direct UGLEE and hold.

AWOS-3PT <b>119.925</b>	PALM BEACH APP CON <b>127.35 343.6</b>	CLNC DEL <b>127.35</b>	UNICOM <b>122.7 (CTAF) 0</b>
----------------------------	---	---------------------------	---------------------------------



CATEGORY	A	B	C	D
<b>C</b> CIRCLING	460-1 446 (500-1)	520-1 506 (600-1)	580-1½ 566 (600-1½)	NA

SE-3, 11 AUG 2022 to 08 SEP 2022

SE-3, 11 AUG 2022 to 08 SEP 2022