

WAAS CH 50209 W11A	APP CRS 109°	Rwy Idg TDZE 736 Apt Elev 737	4300
--	------------------------	---	-------------

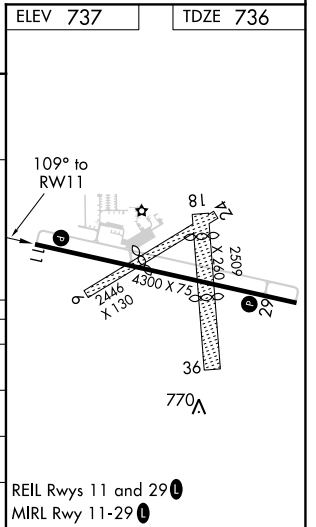
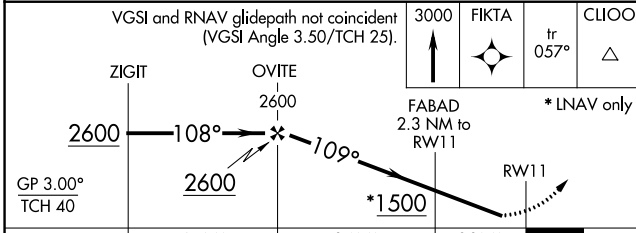
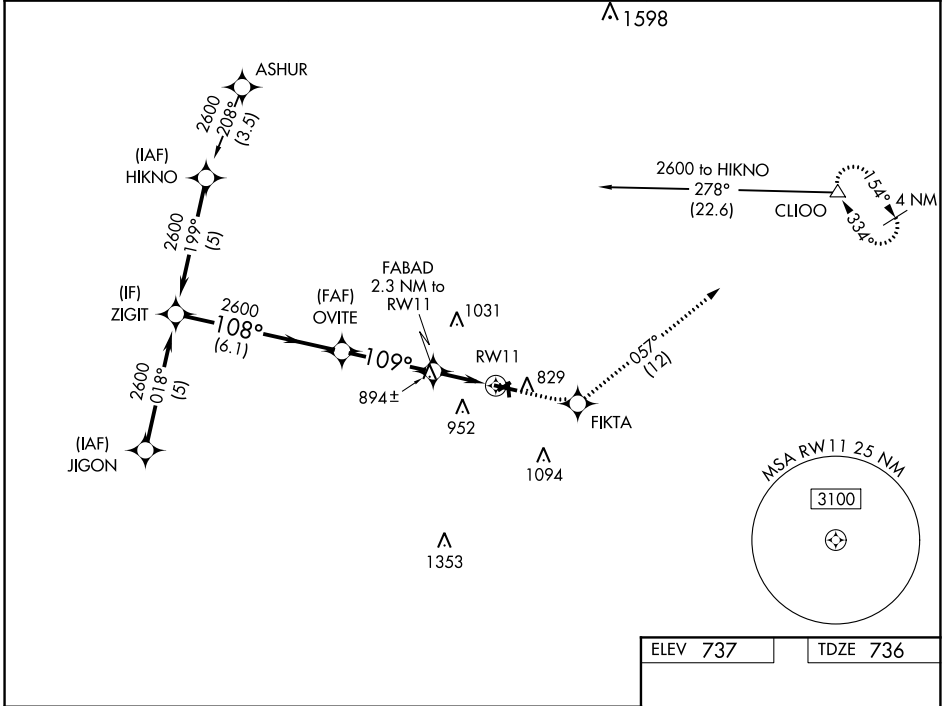
RNAV (GPS) RWY 11

OWOSSO COMMUNITY (R.N.P)

RNP APCH. Circling NA to Rwys 6, 18, 24, and 36. For uncompensated Baro-VNAV systems, LNAV/VNAV NA below -16°C (4°F) or above 54°C (130°F). Rwy 11 helicopter visibility reduction below 3/4 SM NA.

MISSED APPROACH: Climb to 3000 direct FIKTA and on track 057° to CLIOO and hold.

AWOS-3 118.025	GREAT LAKES APP CON * 128.55 257.9	UNICOM 123.0 (CTAF)
--------------------------	--	-------------------------------



CATEGORY	A	B	C	D
LPV DA	1079-1¼	343 (400-1¼)		NA
LNAV/VNAV DA	1258-2	522 (600-2)		NA
LNAV MDA	1180-1	444 (500-1)	1180-1¼ 444 (500-1¼)	NA
CIRCLING	1220-1 483 (500-1)	1260-1 523 (600-1)	1400-1¾ 663 (700-1¾)	NA

EC-1, 27 JAN 2022 to 24 FEB 2022

EC-1, 27 JAN 2022 to 24 FEB 2022

APP CRS	Rwy Idg	4300
289°	TDZE	737
	Apt Elev	737

RNAV (GPS) RWY 29

OWOSSO COMMUNITY (R.N.P)

RNP APCH.

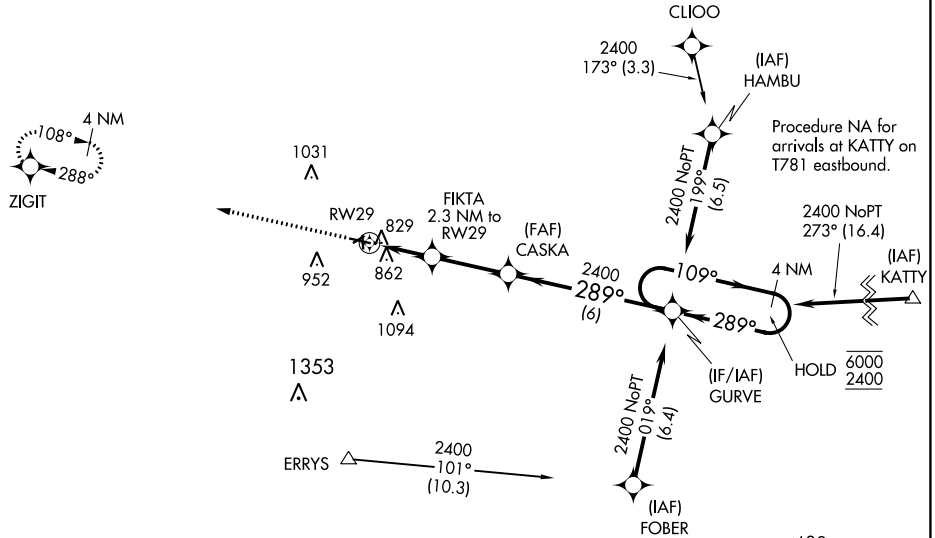
▼ Circling NA to Rwy 6, 18, 24 and 36. Procedure NA at night. Rwy 29 helicopter visibility reduction below $\frac{3}{4}$ SM NA.
▲

MISSED APPROACH: Climb to 2600 direct ZIGIT and hold.

AWOS-3
118.025

GREAT LAKES APP CON *
128.55 257.9

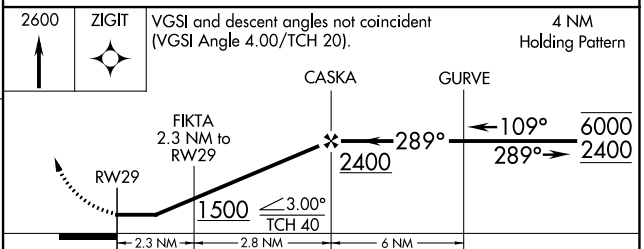
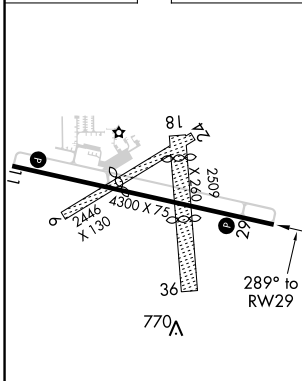
UNICOM
123.0 (CTAF) 0



EC-1, 27 JAN 2022 to 24 FEB 2022

EC-1, 27 JAN 2022 to 24 FEB 2022

ELEV 737	TDZE 737
----------	----------



CATEGORY	A	B	C	D
LNAV MDA	1120-1	383 (400-1)	1120-1 $\frac{1}{8}$ 383 (400-1 $\frac{1}{8}$)	NA
C CIRCLING	1220-1 483 (500-1)	1260-1 523 (600-1)	1400-1 $\frac{3}{4}$ 663 (700-1 $\frac{3}{4}$)	NA

OWOSSO, MICHIGAN
Amdt 2 15AUG19

43°00'N-84°08'W

OWOSSO COMMUNITY (R.N.P) RNAV (GPS) RWY 29

VORTAC FNT 116.9 Chan 116	APP CRS 281°	Rwy Idg 4300 TDZE 736 Apt Elev 736
---	------------------------	---

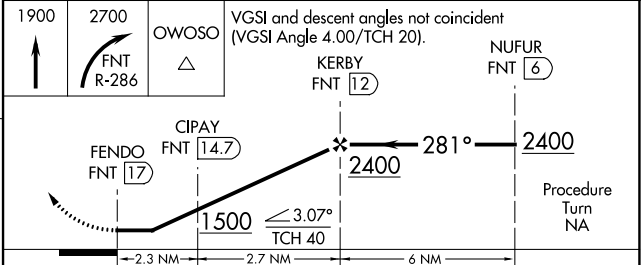
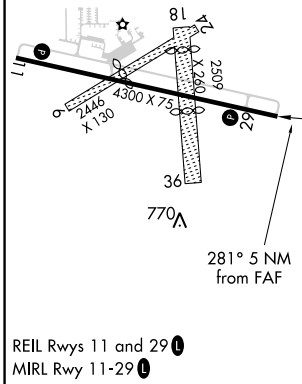
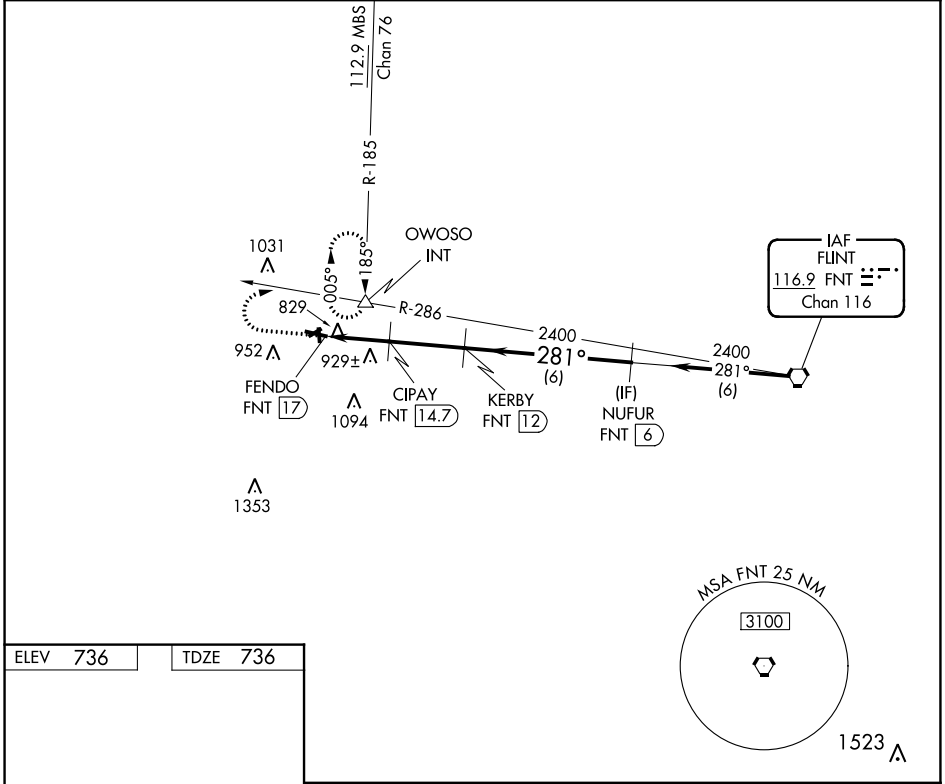
VOR/DME RWY 29

OWOSSO COMMUNITY (R.N.P)

⚠ Circling NA to Rwys 6, 18, 24 and 36. Rwy 29 helicopter visibility reduction below 3/4 SM NA. When local altimeter setting not received, use Flint altimeter setting and increase all MDA 60 feet and S-29 Cat C visibility 1/4 mile.

MISSED APPROACH: Climb to 1900 then climbing right turn to 2700 via FNT VORTAC R-286 to OWOSSO INT and hold.

AWOS-3 118.025	GREAT LAKES APP CON * 128.55 257.9	UNICOM 123.0 (CTAF) 0
--------------------------	--	---------------------------------



CATEGORY	A	B	C	D
S-29	1180-1	444 (500-1)	1180-1 1/4 444 (500-1 1/4)	NA
C CIRCLING	1220-1 483 (500-1)	1260-1 523 (600-1)	1400-1 3/4 663 (700-1 3/4)	NA

EC-1, 27 JAN 2022 to 24 FEB 2022

EC-1, 27 JAN 2022 to 24 FEB 2022